

# 2D CODE READER

## AB-CM-2D-QR-CR

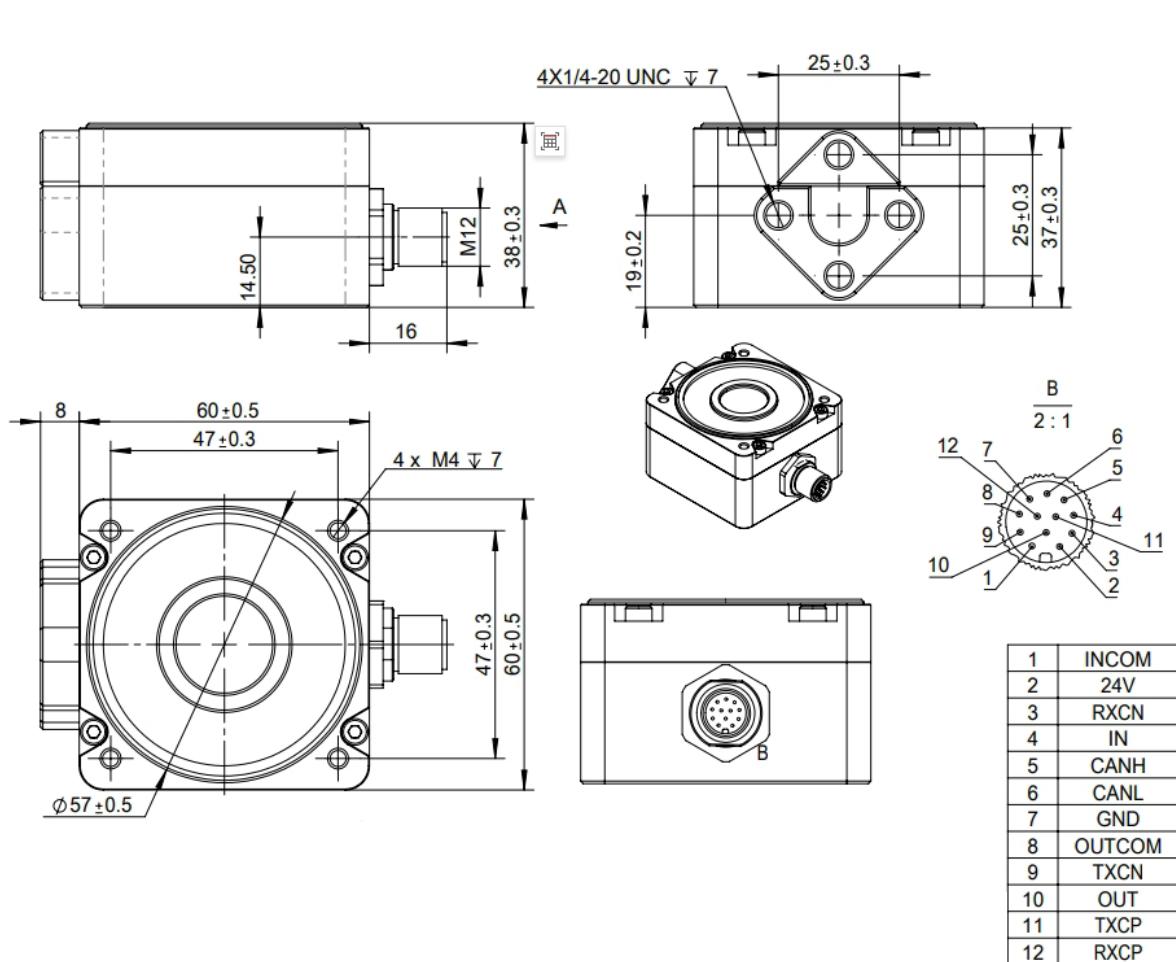
# ATOMBOTIX



- 100mm (working distance)
- 130 \* 80mm (field of view)
- 66 \* 44 ° (field of view)
- DataMatrix(12\*12)
- 1280 \* 800 black and white (resolution)  
@ 60fps (frame rate)
- Ethernet 100Mb/s, CAN/RS485

<b>Lens parameters</b>	
Working Distance	100mm
Viewable Range	130mm*80mm
Field of View	66*44°
Lens Fcal Length	3mm
Barcode Type	DataMatrix code (only supports 12 * 12 codes, where 12 refers to the number of cells on one side)
Depth of Field	When the length and width of the QR code are 43mm * 43mm, the depth of field is 87-117.6mm
Maximum Processing Frame Rate	60fps
Maximum Reading Speed	60 code per second
Camera Chip Type	CMOS, Global Shutter
Resolution	1280*800
<b>Interface</b>	
Connector	M12-A*12
Communication Model	100Mbps Ethernet, CAN/RS485 Optional
Rs485	Optional
Supported Protocols	UDPserver
LED Indicator Light	Power supply, network, trigger, status
<b>Electrical Parameter</b>	
Working Voltage	DC 10-30V
Power Consumption	Do not activate the fill light: 3.36W@24VDC Activate the fill light: 5.4W@24VDC
<b>Structure</b>	
Product Size	60x84x41mm
Package Size	130x110x60mm
Net Weight	About 206g

Material	Aluminum alloy
IP Ratings	IP65
<b>Environmental Parameter</b>	
Ambient Light	<40000Lux
Working Environment	-10 °C~50 °C (indoor use) < 80% RH (no frost, no condensation)
Storage Temperature	-30°C~70°C



www.atombotix.com  
contact@atombotix.com

